

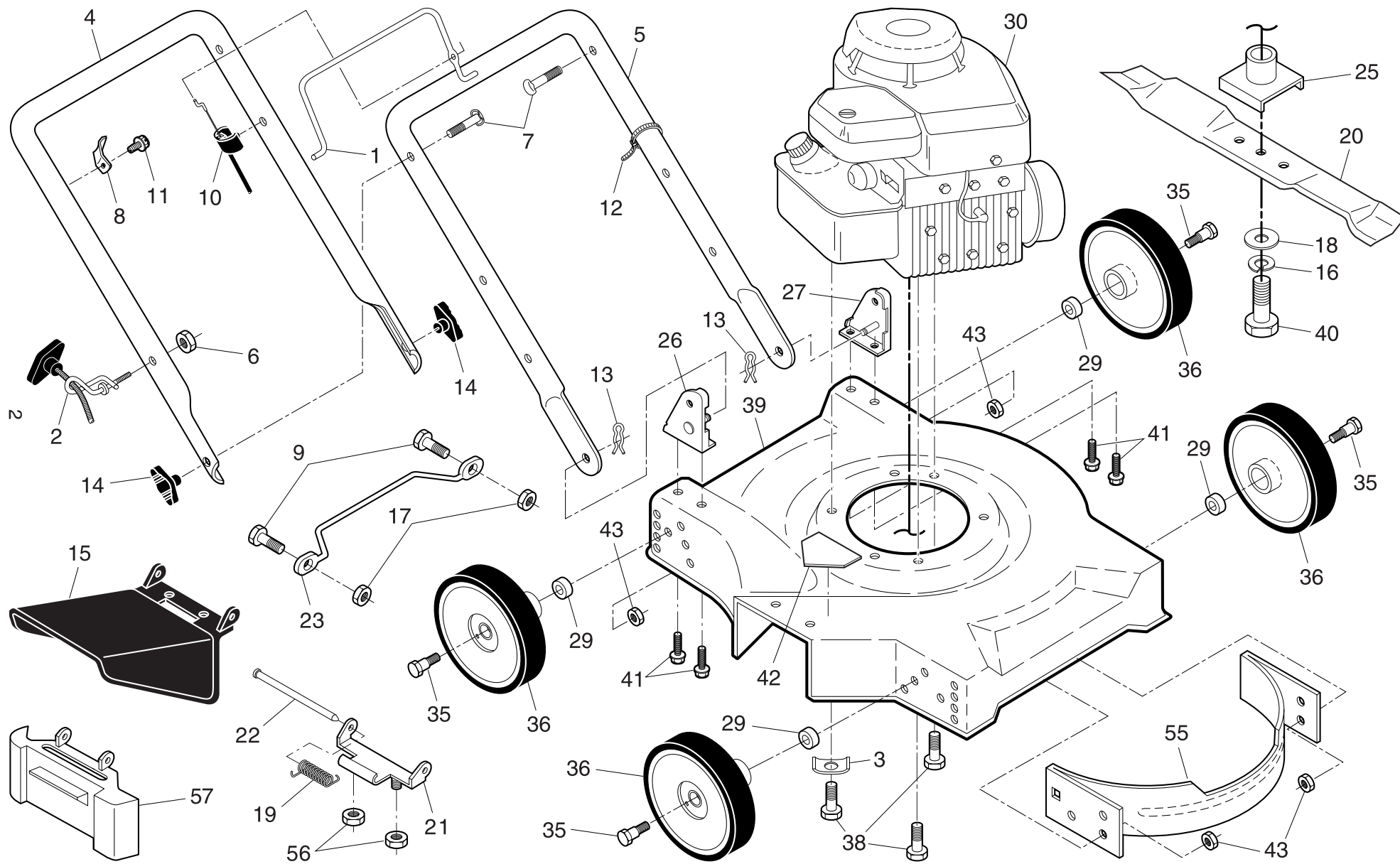
ILLUSTRATED PARTS LIST

MODEL NUMBER MM51-450SM

PRODUCT NUMBER 961 11 00-22

MFG. ID. NUMBER 96111002201

ROTARY LAWN MOWER - - MODEL NUMBER MM51-450SM (96111002201) PRODUCT NUMBER 961 11 00-22



ROTARY LAWN MOWER - - MODEL NUMBER MM51-450SM (96111002201) PRODUCT NUMBER 961 11 00-22

KEY NO.	PART NO.	DESCRIPTION	KEY NO.	PART NO.	DESCRIPTION
1	532 19 60-25	Control Bar	23	532 15 41-47	Foot Guard
2	532 19 47-88	Rope Guide	25	532 85 09-77	Blade Adapter
3	532 12 50-78	Washer, Engine	26	532 17 09-75	Handle Bracket, RH
4	532 19 60-26	Upper Handle	27	532 17 09-77	Handle Bracket, LH
5	532 15 50-44	Lower Handle	29	532 13 66-24	Spacer
6	532 13 20-04	Locknut, Hex 1/4-20	30	- - -	Engine, Briggs & Stratton, Model Number 9T502 (Order parts from engine manufacturer)
7	532 19 15-74	Bolt 1/4-20	35	532 06 76-09	Shoulder Bolt
8	532 12 52-03	Up-Stop Bracket	36	532 40 38-59	Wheel & Tire Assembly 7 x 1-1/2
9	532 08 58-25	Screw	38	532 15 04-06	Screw, Hex Head, Threaded, Rolled 3/8-16 x 1
10	532 16 27-78	Engine Zone Control Cable	39	532 40 12-89	Kit, Lawn Mower Housing
11	532 75 06-34	Screw, Self-Tapping, Hex Washer Head #10-24 x 1/2	40	532 85 10-84	Screw, Machine, Hex Head 3/8-24 x 1-3/8 Grade 8
12	532 06 64-26	Wire Tie	41	532 14 97-41	Screw
13	532 05 17-93	Hairpin Cotter	42	532 18 21-66	Danger Decal
14	532 19 19-38	Handle Knob	43	532 75 15-92	Locknut, Hex 5/8-16
15	532 41 35-68	Discharge Guard	55	532 14 15-19	Front Baffle
16	532 85 02-63	Helical Lock Washer	56	873 80 04-00	Nut, Hex
17	532 06 91-80	Nut, Hex	57	532 41 24-00	Mulcher Plug
18	532 85 10-74	Washer, Hardened	--	532 14 15-20	Rear Baffle (Not Shown)
19	532 41 18-32	Spring, Hinge	--	532 41 56-69	Operator's Manual, European
20	532 14 51-06	Blade, 20"	--	532 41 56-71	Operator's Manual, Scandanivian
21	532 08 86-02	Hinge Bracket	--	532 41 56-68	Operator's Manual, East Bloc
22	532 15 02-15	Hinge Rod	--	532 41 56-70	Operator's Manual, Baltic

NOTE: All component dimensions given in U.S. inches. 1 inch = 25.4 mm. **IMPORTANT:** Use only Original Equipment Manufacturer (O.E.M.) replacement parts. Failure to do so could be hazardous, damage your lawn mower and void your warranty.